



INSTALLATION GUIDELINES

PADS:

1. Custom cut pads should be wrapped around the circumference of the pipe, covering all exposed areas. Ensure that all pads are of sufficient dimension to protect the entire pipe.
2. All pad overlaps shall be placed at the 6 o'clock position of the pipe, taking care to secure the ROCKGUARD® HD with a polyester filament tape.
3. Place all end to end overlaps min. 2"; all parallel pad overlaps minimum 6".
4. All pads shall be secured to pipe by using a min. 3/4" wide polyester filament tape.
5. After pads are secured to pipe, the backfill process may take place.

ROLLS:

1. All rolls should be of adequate coverage to entirely cover the circumference of the pipe.
2. ROCKGUARD® HD is to be placed around pipe, whereby placing overlap portion at the 6 o'clock position of the pipe.
3. Place all end to end overlaps min. 2"; all parallel pad overlaps minimum 6".
4. In the event that a side overlap is used place the overlaps "shingle style". This will ensure that no backfill will protrude under the ROCKGUARD® HD.
5. All rolls shall be secured to pipe by using a min. 3/4" wide polyester filament tape.
6. After rolls are secured to pipe, the backfill process may take place.

All the above information is given in good faith, but the figures are typical values only and should not be taken as a guarantee of performance. Manufacturing tolerances for dimensional and technical characteristics apply and are available upon request. The company reserves the right to improve the product and adjust the specification without notice.



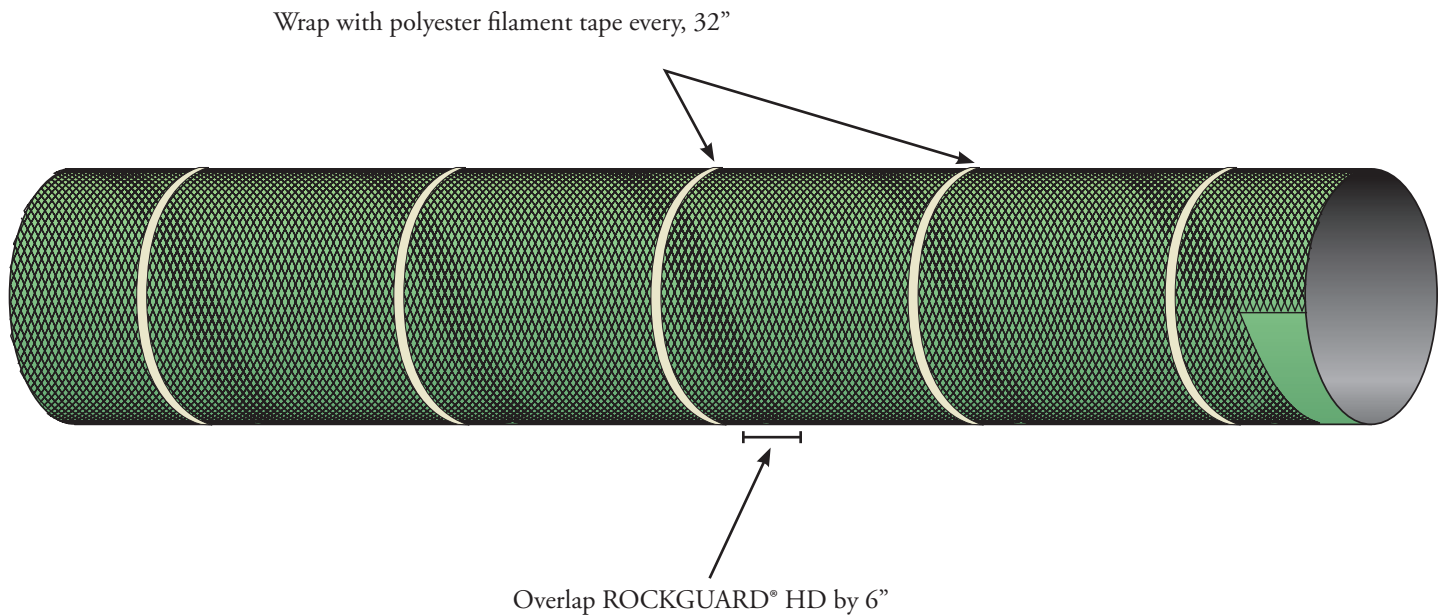
INSTALLATION FIGURE USING SPIRAL WRAP METHOD

SPIRAL WRAPPING

ROCKGUARD® HD can be installed along the pipe or around the pipe as per the diagrams below and can be secured by means of polyester filament tape.

This process can be applied to longer circumference pipes:

1. Start wrapping the pipe moving along the length of the pipe, so that the ROCKGUARD® HD overlaps slightly.
2. Use the polyester filament tape to secure the ROCKGUARD® HD insitu as the mesh is wrapped.



All the above information is given in good faith, but the figures are typical values only and should not be taken as a guarantee of performance. Manufacturing tolerances for dimensional and technical characteristics apply and are available upon request. The company reserves the right to improve the product and adjust the specification without notice.



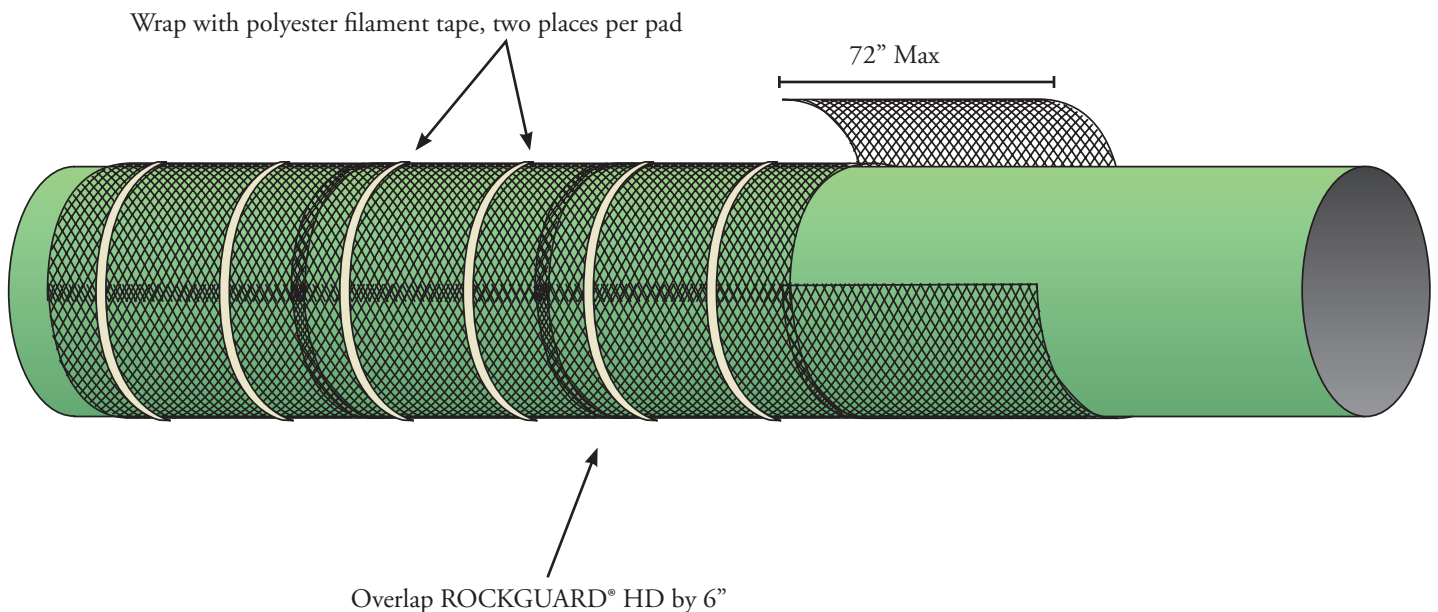
INSTALLATION FIGURE USING LATITUDINAL WRAPPING METHOD

LATITUDINAL WRAPPING

ROCKGUARD® HD can be installed along the pipe or around the pipe as per the diagrams below and can be secured by means of polyester filament tape.

For pipes with a larger circumference than the roll width:

1. Cut the ROCKGUARD® HD into pieces of more than 6" extra than the circumference of the pipe.
2. Wrap the pipe with the ROCKGUARD® HD overlapping the adjacent installed mesh by 6".
3. Fix the ROCKGUARD® HD with polyester filament tape in two places per pad.



All the above information is given in good faith, but the figures are typical values only and should not be taken as a guarantee of performance. Manufacturing tolerances for dimensional and technical characteristics apply and are available upon request. The company reserves the right to improve the product and adjust the specification without notice.



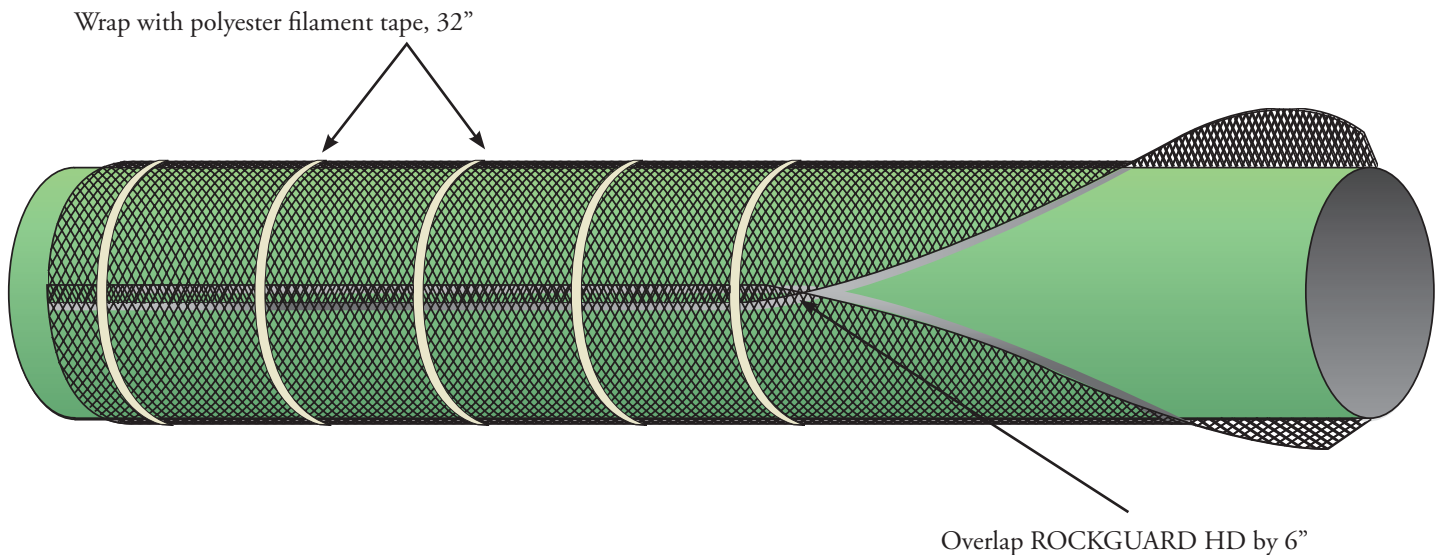
INSTALLATION FIGURE USING LONGITUDINAL WRAPPING METHOD

LONGITUDINAL WRAPPING

ROCKGUARD® HD can be installed along the pipe or around the pipe as per the diagrams below and can be secured by means of polyester filament tape.

For pipes with a circumference of less than 6" in relation to the width of the ROCKGUARD® HD:

1. Unroll the ROCKGUARD® HD parallel to the pipe which is to be protected.
2. Place the ROCKGUARD® HD below the pipe.
3. Wrap the ROCKGUARD® HD around the pipe over lapping the edges by approximately 6".
4. The mesh can be secured by polyester filament tape.



All the above information is given in good faith, but the figures are typical values only and should not be taken as a guarantee of performance. Manufacturing tolerances for dimensional and technical characteristics apply and are available upon request. The company reserves the right to improve the product and adjust the specification without notice.